

# MNT-JUNCTION-BOX-6-B

Junction Box

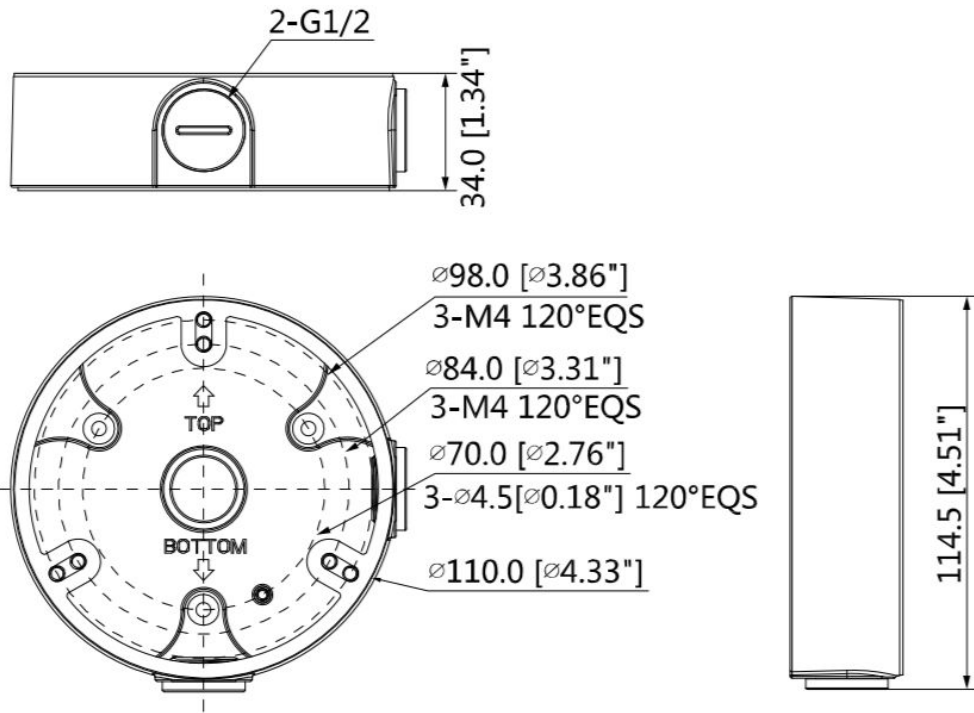


- Aesthetic design
- Material: Aluminum
- Fits medium-sized dome cameras.
- Junction Box

## Technical Specification

Model	MNT-JUNCTION-BOX-6
<b>Physical Properties</b>	
Material	Aluminum
Dimension(W xH xD)	110.0mmx34.0mm (4.33"x1.34")
Weight	0.19kg(0.42lb)
Load Bearing	1kg (2.2lb)
Inch Thread	M20(G1/2")
Color	Black
Operating Temperature	40°C~60°C(-40°F~140°F)
Humidity	0~90% RH
Applicable Models:	Medium-sized dome camerass. See Accessory Compatibility List.

Dimensions (mm/in)



Application

